

Important Safety Information

Read and understand all safety precautions and instructions before use.

- The Bucket Mount is designed for outdoor use.
- Check Bucket Mount before each and every use for signs of wear. Do Not use if damaged or if not working properly
- The Bucket Mount is designed for use with BG-21 Bucket Grubber and BG-22 Bucket Grubber HD
- The Bucket Mount is not to be used on people or pets.
- **Intended for use with skid loaders with 50 hp or less.**
- **Intended for use on shallow rooted trees and brush.**
Functionality can vary by root system/tree type, soil type, and ground condition



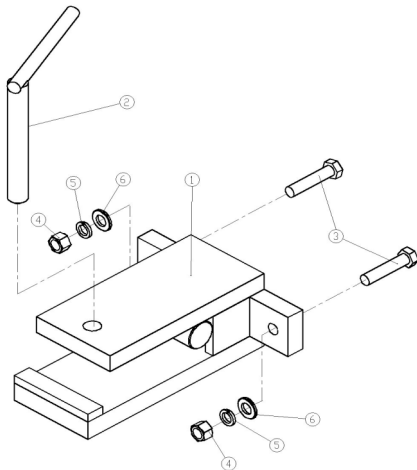
***BG-21 Bucket Grubber & BG-23 Bucket Grubber HD sold separately**

Instructions

1. Attach the BG-21 Bucket Grubber or BG-22 Bucket Grubber HD (**each sold separately**) to the Bucket Mount model BG-23 using the 2 hex bolts provided with the Bucket Mount.
2. Be sure that Bucket Mount is secured to the bucket using the securing bolt.
3. **Always cut tree off at 3ft to 4ft above the ground before using Bucket Grubber or Bucket Gruber HD.**
4. Drive up to the tree to be removed and position it so that the tree is between the two grip bars on the Bucket Grubber or Bucket Grubber HD.
5. Tilt bucket slightly to engage the no slip grip teeth and drive forward pushing the tree and root system out of the ground.
6. Once the tree is removed tilt bucket back to disengage the teeth.

***Take caution of all pinch points on the Bucket Mount and entire Bucket Grubber System.**

***Take caution of Grip Bars when attaching the Bucket Mount or Bucket Grubber System. Keep fingers and hands free and clear.**



Ref. #	Qty	Part #	Description
1	1	BG23-01	Bucket Mount
2	1	BG23-02	Securing Bolt with Handle
3	2	BG23-03	M12X55 Hex Head Bolt
4	2	BG23-04	M12 Hex Head Nut
5	2	BG23-05	Ø12 Spring Washer
6	2	BG23-06	Ø12 Flat Washer

WARNING



BAC Industries, Inc. and Brush Grubber will not be held liable for any damages, losses, or injury, due to misapplication or misuse of this product or for any other reason. Always wear approved safety glasses, protective clothing, and proper hand and foot protection at all times. Keep all people and pets or animals clear from brush removal work area.

BrushGrubber.com
PO BOX 5064
HOPKINS, MN
55342

PH: 952-945-9058

www.brushgrubber.com

Email:

info@brushgrubber.com

See other unique items at BrushGrubber.com