

## Important Safety Information

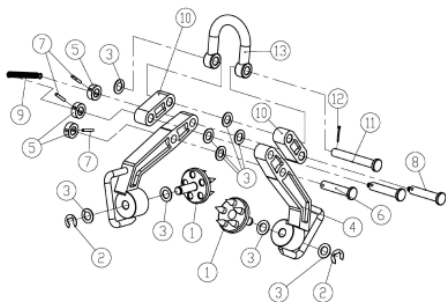
Read and understand all safety precautions and instructions before use.

- The Brush Grubber Xtreme Plus is designed for outdoor use.
- Check Brush Grubber Xtreme Plus before each and every use for signs of wear. Do Not use if damaged or if not working properly
- The Brush Grubber Xtreme Plus is designed to remove tree stumps up to 6" diameter
- The Brush Grubber Xtreme Plus is not to be used on people or pets.
- For use with pick-ups, SUV's, tractors, & skid loaders.



## Instructions

1. Cut tree off at 3ft to 4ft above the ground prior to removal.
2. Place Brush Grubber Xtreme Plus on each side of the stump near the top with **spring on the Brush Grubber Xtreme Plus placed towards the ground.**
3. Securely Attach a chain to the clevis of the Brush Grubber Xtreme Plus and the opposite end of the chain to the towing/pulling vehicle. Take caution that the chain is long enough so the tree stump will not hit/strike the operator of the towing/pulling vehicle. **DO NOT jerk the Brush Grubber Xtreme Plus while there is slack in the chain.**
4. To remove the Brush Grubber Xtreme Plus from the stump push back on the clevis (towards the stump) or pull jaws open using the large rugged handles on each side of the jaws.  
**\*Take caution of all pinch points on the Brush Grubber Xtreme Plus.**  
**\*Take caution of Grip Pads when opening the jaws of the Brush Grubber Xtreme Plus. Keep fingers and hands free and clear.**



Ref#	Qty	Part#	Description
1	2	BG20-01	Grip Pad
2	2	BG20-02	E-clip(Grip Pad)φ15
3	9	BG20-03	SmallWasherφ20*2
4	2	BG20-04	Main Arm
5	3	BG20-05	Collar
6	1	BG20-06	Center Shaft
7	3	BG20-07	Roll Pinsφ6*38
8	2	BG20-08	Spring Shaft
9	1	BG20-09	Spring
10	2	BG20-10	Clevis Arm
11	1	BG20-11	Shaft
12	1	BG20-12	Pinφ4*30
13	1	BG20-13	Clevis

### WARNING



BAC Industries, Inc. and Brush Grubber will not be held liable for any damages, losses, or injury, due to misapplication or misuse of this product or for any other reason. Always wear approved safety glasses, protective clothing, and proper hand and foot protection at all times. Keep all people and pets or animals clear from brush removal work area.

BrushGrubber.com  
 PO BOX 5064  
 HOPKINS, MN 55343

PH: 952-945-9058  
[www.brushgrubber.com](http://www.brushgrubber.com)  
 Email: info@brushgrubber.com

See other unique items at [BrushGrubber.com](http://BrushGrubber.com)